

24th CROATIA WORLD CUP - VELIKO TRGOVIŠĆE CROSSBOW FIELD



RESULTS BOOK



28th to 30th of June 2019

Sports Centre "Veliko Trgovišće"

IAU WORLD CUP - CROSSBOW FIELD

24th Croatia Cup, Veliko Trgovišće

28th to 30th of June 2019

VT Kup

Rank	Competitor	Team	Cat.	65m	50m	35m	Σ	R10	10
1	PEREGLIN Domagoj	Croatia	M	288	288	293	869	41	22
2	OBOROVEČKI Martin	Croatia	J	275	280	294	849	33	15
3	NOVOSEL Josip	Croatia - Strijelac	J	282	282	285	849	30	15
4	KRSTINIĆ Andrej	Croatia	M	271	286	292	849	27	25
5	TERTYCHNYY Andrey	Russia	M	275	286	287	848	30	15
6	PEREGLIN Valentina	Croatia	W	275	285	286	846	37	9
7	KAJFEŠ Marijan	Croatia	M	276	280	290	846	35	16
8	MOFARDIN Oliver	Croatia - Dubrava 1094	J	282	269	291	842	23	18
9	BORAK Ivan	Croatia - Dubrava 1094	C	270	283	287	840	30	13
10	KOCHETOVA Lolita	Russia	W	266	285	287	838	31	12
11	AVDEEV Iakov	Russia	M	275	271	289	835	25	20
12	SHABURIN Semen	Russia	C	271	274	290	835	25	16
13	KLIMOVA Olga	Russia	W	267	281	286	834	27	13
14	SVÁB Sándor	Hungary	M	264	279	289	832	34	11
15	SIMASHEV Fedor	Russia	J	274	275	283	832	28	8
16	SERGEEV Ilija	Russia	C	256	282	290	828	34	11
17	OBOROVEČKI Mihaela	Croatia	W	280	273	275	828	26	10
18	KORBAŘ Bohumil	Czechia	M	271	273	283	827	26	10
19	HENNE Andreas	Switzerland	S	274	271	278	823	21	10
20	MIRZOEV Mikhail	Russia	C	265	275	283	823	19	16
21	STALLBAUM Niklas	Germany - Winsen/Luhe	M	261	283	278	822	17	15
22	KOSITSYN Aleksandr	Russia	M	260	273	288	821	28	15
23	KASALO Antonia	Croatia - Dubrava 1094	C	260	278	283	821	28	9
24	BARTOLOVIĆ Karla	Croatia - Veliko Trgovišće	C	267	272	282	821	18	19
25	KOZUMPLIK Valentina	Croatia - PGSD Zagreb	W	269	280	271	820	24	13
26	POPOVIĆ-GECAN Iva	Croatia - Ivanić	C	266	273	275	814	16	12
27	TIJAN Željko	Croatia - Dubrava 1094	S	260	273	278	811	14	13
28	GSTEU Bernhard	Austria	S	263	270	277	810	19	13
29	GRDIŠA Maja	Croatia	W	259	277	273	809	21	9
30	BLAGEC Petar	Croatia - Ivanić	C	255	277	277	809	18	15
31	SAMOTAEVA Violetta	Russia	J	255	270	281	806	22	13
32	MANTCUROVA Linda	Russia	W	247	271	287	805	20	15
33	NEDĚLNÍK Josef	Czechia	S	245	281	275	801	14	18
34	NEDĚLNÍKOVÁ Hana	Czechia	W	244	277	273	794	18	11
35	KUBESOVÁ Sabina	Czechia	W	259	268	266	793	18	14
36	MÁTRAI István	Hungary	S	244	268	270	782	14	15
37	NEDĚLNÍKOVÁ Jaroslava	Czechia	S	261	260	261	782	13	11
38	HAFEN Thomas	Switzerland	M	243	263	268	774	14	12
39	HYNKOVÁ Irena	Czechia	W	238	267	267	772	16	13
40	KOLEŇÁKOVÁ Jana	Czechia	C	249	269	253	771	6	7
41	HAJNÝ Martin	Czechia	J	249	253	265	767	7	1
42	LUTZ Harald	Austria	S	240	263	262	765	14	7
43	HYNKOVÁ Karolína	Czechia	J	259	255	247	761	15	3
44	VYSKOČIL Denis	Czechia	C	249	268	238	755	10	9
45	KLIMOVA Anastasia	Russia	C	237	257	259	753	6	8
46	PONOMARENKO Daria	Russia	J	238	256	256	750	11	4
47	ANDRÉS Lukáš	Czechia	J	230	260	251	741	15	3
48	SUHINA Filip	Croatia - Ivanić	C	222	258	238	718	8	5
49	KUBESA Oldřich	Czechia	S	232	244	230	706	7	11
50	SCHYGULLA Karl-Heinz	Germany - Winsen/Luhe	S	201	236	243	680	3	4
51	SCHYGULLA Barbara	Germany - Winsen/Luhe	S	201	226	225	652	3	1
52	KRESSE Maik	Germany - Winsen/Luhe	S	183	201	222	606	4	4
53	KOMAR Sanja	Croatia	W	0	0	0	0	0	0
54	ČUKMAN Antonela	Croatia - Ivanić	C	0	0	0	0	0	0

IAU WORLD CUP - CROSSBOW FIELD

24th Croatia Cup, Veliko Trgovišće

28th to 30th of June 2019

Qualification

Rank	Competitor	Team	Cat.	65m	50m	35m	Σ	R10	10
Men									
1	PEREGLIN Domagoj	Croatia	M	288	288	293	869	41	22
2	KRSTINIĆ Andrej	Croatia	M	271	286	292	849	27	25
3	TERTYCHNYY Andrey	Russia	M	275	286	287	848	30	15
4	KAJFEŠ Marijan	Croatia	M	276	280	290	846	35	16
5	AVDEEV Iakov	Russia	M	275	271	289	835	25	20
6	SVÁB Sándor	Hungary	M	264	279	289	832	34	11
7	KORBAŘ Bohumil	Czechia	M	271	273	283	827	26	10
8	STALLBAUM Niklas	Germany - Winsen/Luhe	M	261	283	278	822	17	15
9	KOSITSYN Aleksandr	Russia	M	260	273	288	821	28	15
10	HAFEN Thomas	Switzerland	M	243	263	268	774	14	12
Women									
1	PEREGLIN Valentina	Croatia	W	275	285	286	846	37	9
2	KOCHETOVA Lolita	Russia	W	266	285	287	838	31	12
3	KLIMOVA Olga	Russia	W	267	281	286	834	27	13
4	OBOROVEČKI Mihaela	Croatia	W	280	273	275	828	26	10
5	KOZUMPLIK Valentina	Croatia - PGSD Zagreb	W	269	280	271	820	24	13
6	GRDIŠA Maja	Croatia	W	259	277	273	809	21	9
7	MANTCUROVA Linda	Russia	W	247	271	287	805	20	15
8	NEDĚLNÍKOVÁ Hana	Czechia	W	244	277	273	794	18	11
9	KUBESOVÁ Sabina	Czechia	W	259	268	266	793	18	14
10	HYNKOVÁ Irena	Czechia	W	238	267	267	772	16	13
11	KOMAR Sanja	Croatia	W	0	0	0	0	0	0
Juniors									
1	OBOROVEČKI Martin	Croatia	J	275	280	294	849	33	15
2	NOVOSEL Josip	Croatia - Strijelac	J	282	282	285	849	30	15
3	MOFARDIN Oliver	Croatia - Dubrava 1094	J	282	269	291	842	23	18
4	SIMASHEV Fedor	Russia	J	274	275	283	832	28	8
5	SAMOTAEVA Violetta	Russia	J	255	270	281	806	22	13
6	HAJNÝ Martin	Czechia	J	249	253	265	767	7	1
7	HYNKOVÁ Karolína	Czechia	J	259	255	247	761	15	3
8	PONOMARENKO Daria	Russia	J	238	256	256	750	11	4
9	ANDRÉS Lukáš	Czechia	J	230	260	251	741	15	3
Cadets									
1	BORAK Ivan	Croatia - Dubrava 1094	C	270	283	287	840	30	13
2	SHABURIN Semen	Russia	C	271	274	290	835	25	16
3	SERGEEV Ilija	Russia	C	256	282	290	828	34	11
4	MIRZOEV Mikhail	Russia	C	265	275	283	823	19	16
5	KASALO Antonia	Croatia - Dubrava 1094	C	260	278	283	821	28	9
6	BARTOLOVIĆ Karla	Croatia - Veliko Trgovišće	C	267	272	282	821	18	19
7	POPOVIĆ-GEČAN Iva	Croatia - Ivanić	C	266	273	275	814	16	12
8	BLAGEC Petar	Croatia - Ivanić	C	255	277	277	809	18	15
9	KOLEŇÁKOVÁ Jana	Czechia	C	249	269	253	771	6	7
10	VYSKOČIL Denis	Czechia	C	249	268	238	755	10	9
11	KLIMOVA Anastasia	Russia	C	237	257	259	753	6	8
12	SUHINA Filip	Croatia - Ivanić	C	222	258	238	718	8	5
13	ČUKMAN Antonela	Croatia - Ivanić	C	0	0	0	0	0	0
Seniors									
1	HENNE Andreas	Switzerland	S	274	271	278	823	21	10
2	TIJAN Željko	Croatia - Dubrava 1094	S	260	273	278	811	14	13
3	GSTEU Bernhard	Austria	S	263	270	277	810	19	13
4	NEDĚLNÍK Josef	Czechia	S	245	281	275	801	14	18
5	MÁTRAI István	Hungary	S	244	268	270	782	14	15
6	NEDĚLNÍKOVÁ Jaroslava	Czechia	S	261	260	261	782	13	11
7	LUTZ Harald	Austria	S	240	263	262	765	14	7
8	KUBESA Oldřich	Czechia	S	232	244	230	706	7	11
9	SCHYGULLA Karl-Heinz	Germany - Winsen/Luhe	S	201	236	243	680	3	4
10	SCHYGULLA Barbara	Germany - Winsen/Luhe	S	201	226	225	652	3	1
11	KRESSE Maik	Germany - Winsen/Luhe	S	183	201	222	606	4	4

IAU WORLD CUP - FIELD CROSSBOW

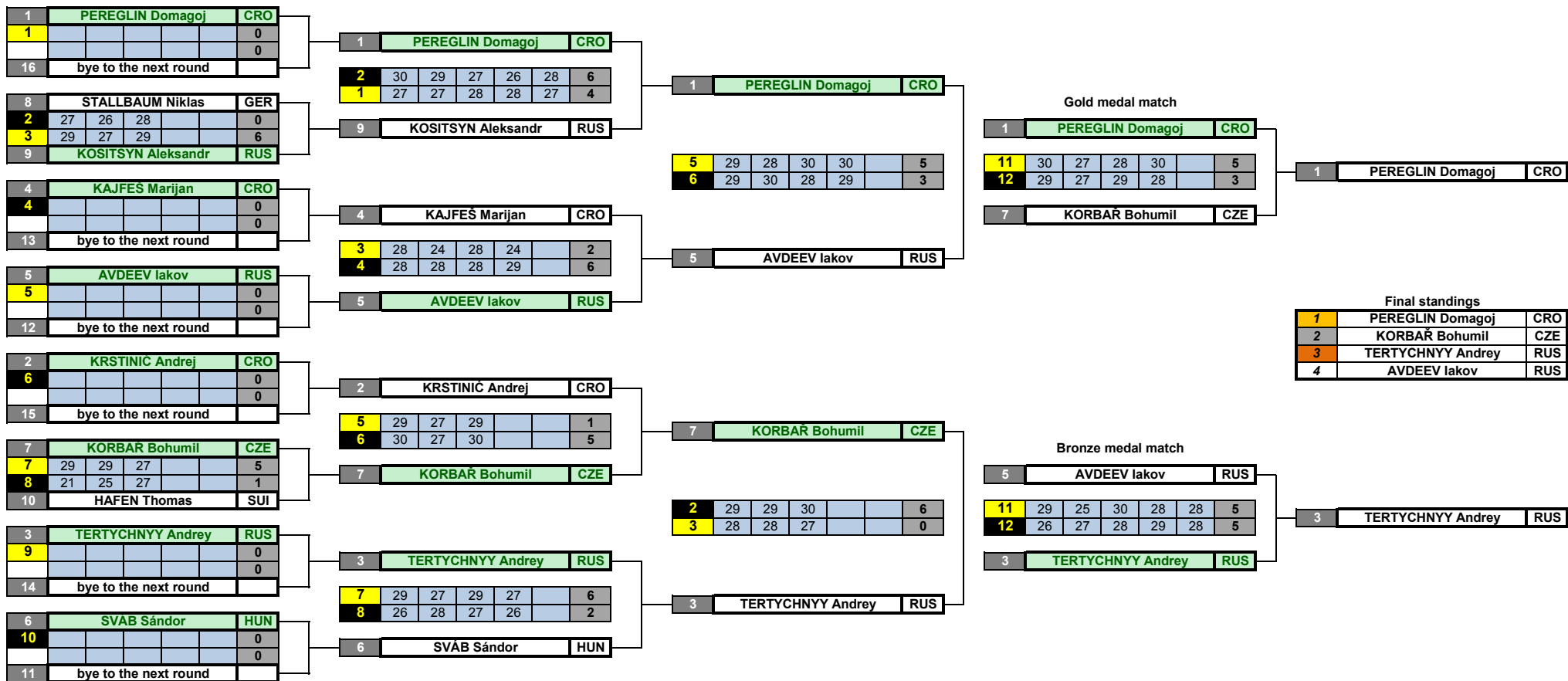
24th Croatia Cup, Veliko Trgovišće

28th to 30th of June 2019

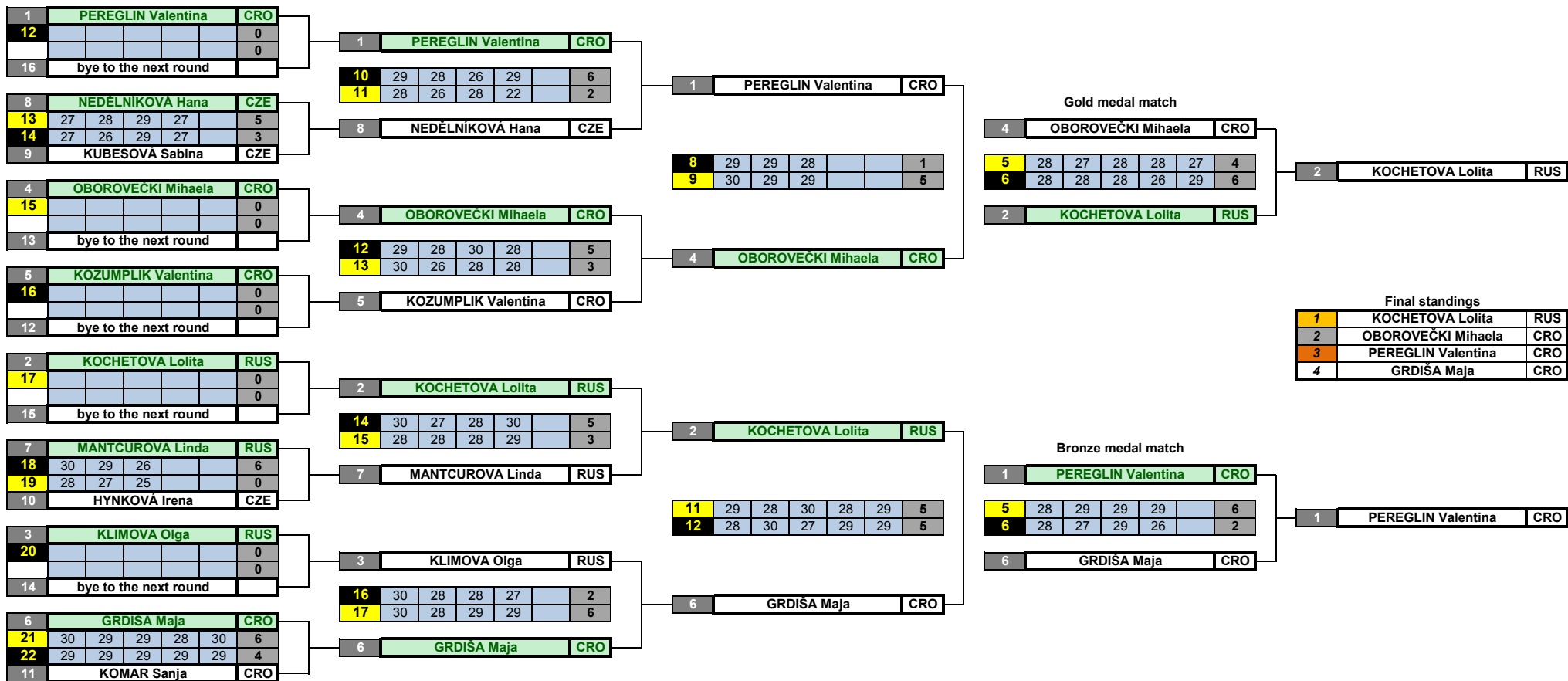
Teams

Rank	Team	Competitors	Cat.	65m	50m	35m	IR900	Σ
1	CROATIA, Men	PEREGLIN Domagoj	M	288	288	293	869	2567
		KRSTINIĆ Andrej	M	271	286	292	849	
		OBOROVEČKI Martin	J	275	280	294	849	
				834	854	879		
2	DUBRAVA 1094, Dubrava	KAJFEŠ Marijan	M	276	280	290	846	2528
		BORAK Ivan	C	270	283	287	840	
		MOFARDIN Oliver	J	282	269	291	842	
				828	832	868		
3	RUSSIA, 1	TERTYCHNYY Andrey	M	275	286	287	848	2515
		AVDEEV Iakov	M	275	271	289	835	
		SIMASHEV Fedor	J	274	275	283	832	
				824	832	859		
4	RUSSIA, 3	MIRZOEV Mikhail	C	265	275	283	823	2486
		SERGEEV Ilia	C	256	282	290	828	
		SHABURIN Semen	C	271	274	290	835	
				792	831	863		
5	CROATIA, Women	PEREGLIN Valentina	W	275	285	286	846	2483
		OBOROVEČKI Mihaela	W	280	273	275	828	
		GRDIŠA Maja	W	259	277	273	809	
				814	835	834		
6	RUSSIA, 2	KOCHETOVA Lolita	W	266	285	287	838	2477
		MANTCUROVA Linda	W	247	271	287	805	
		KLIMOVA Olga	W	267	281	286	834	
				780	837	860		
7	AUSTRIA	GSTEU Bernhard	S	263	270	277	810	2398
		LUTZ Harald	S	240	263	262	765	
		HENNE Andreas	S	274	271	278	823	
				777	804	817		
8	CZECHIA, B	NEDĚLNÍKOVÁ Hana	W	244	277	273	794	2388
		KUBESOVÁ Sabina	W	259	268	266	793	
		NEDĚLNÍK Josef	S	245	281	275	801	
				748	826	814		
9	RUSSIA, 4	KOSITSYN Aleksandr	M	260	273	288	821	2380
		SAMOTAIEVA Violetta	J	255	270	281	806	
		KLIMOVA Anastasia	C	237	257	259	753	
				752	800	828		
10	CZECHIA, D	KORBAŘ Bohumil	M	271	273	283	827	2349
		HAJNÝ Martin	J	249	253	265	767	
		VYSKOČIL Denis	C	249	268	238	755	
				769	794	786		
11	IVANIĆ, Ivanić Grad	POPOVIĆ-GECAN Iva	C	266	273	275	814	2341
		BLAGEC Petar	C	255	277	277	809	
		SUHINA Filip	C	222	258	238	718	
				743	808	790		
12	CZECHIA, C	NEDĚLNÍKOVÁ Jaroslava	S	261	260	261	782	2315
		HYNKOVÁ Karolína	J	259	255	247	761	
		HYNKOVÁ Irena	W	238	267	267	772	
				758	782	775		
13	CZECHIA, A	ANDRÉS Lukáš	J	230	260	251	741	2218
		KOLEŇÁKOVÁ Jana	C	249	269	253	771	
		KUBESA Oldřich	S	232	244	230	706	
				711	773	734		
14	WINSEN/LUHE, GERMANY	SCHYGULLA Barbara	S	201	226	225	652	2080
		KRESSE Maik	S	183	201	222	606	
		STALLBAUM Niklas	M	261	283	278	822	
				645	710	725		

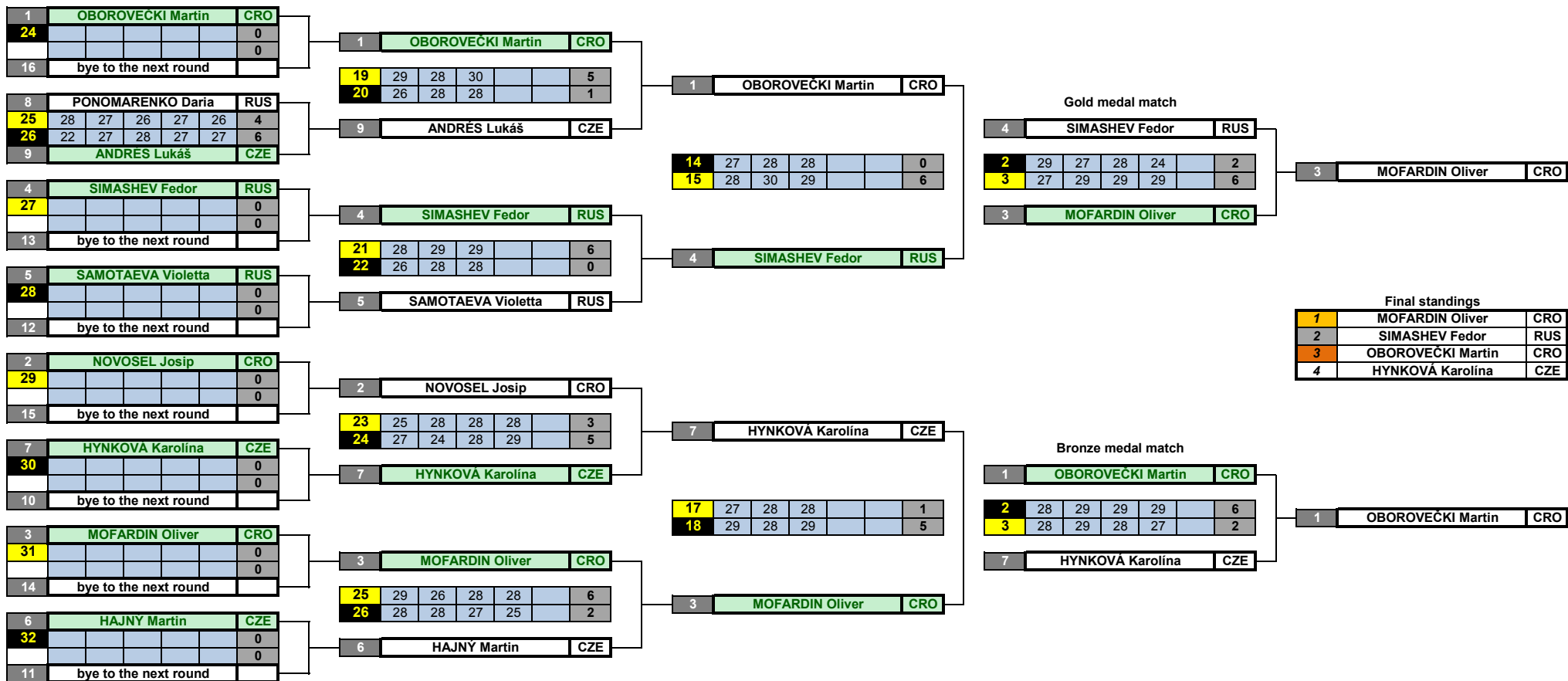
IAU WORLD CUP - CROSSBOW FIELD
 24th Croatia Cup, Veliko Trgovišće
 28th to 30th of June 2019
 Men



IAU WORLD CUP - CROSSBOW FIELD
 24th Croatia Cup, Veliko Trgovišće
 28th to 30th of June 2019
 Women



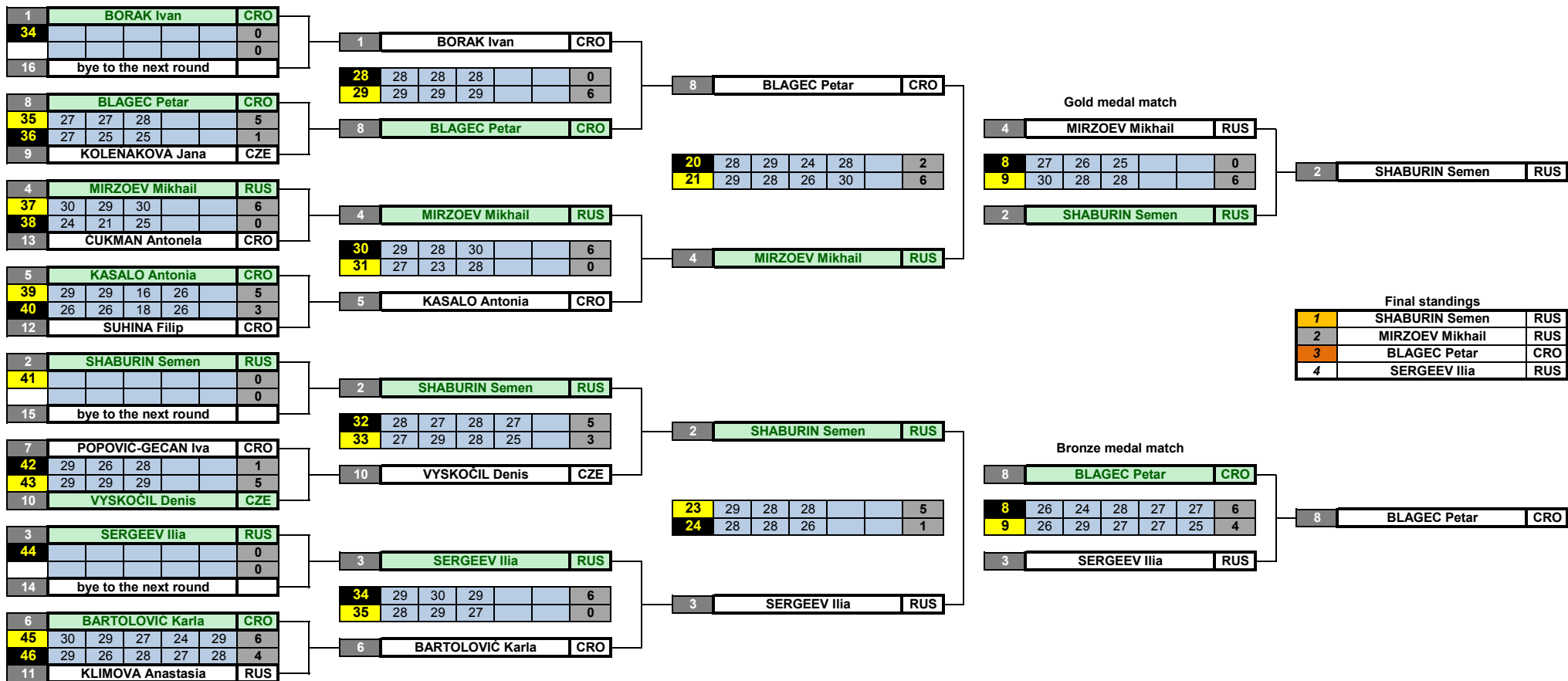
IAU WORLD CUP - CROSSBOW FIELD
 24th Croatia Cup, Veliko Trgovišće
 28th to 30th of June 2019
 Juniors



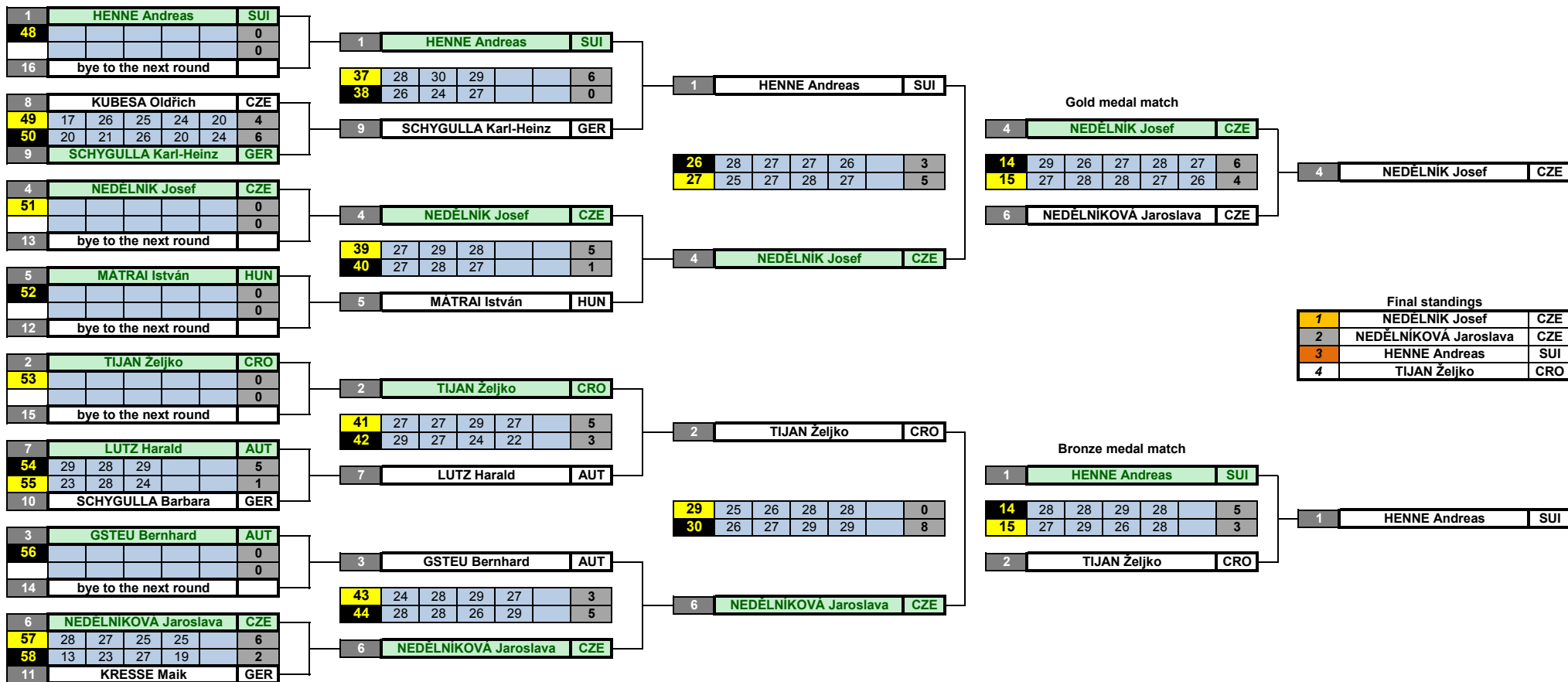
Final standings

1	MOFARDIN Oliver	CRO
2	SIMASHEV Fedor	RUS
3	OBOROVEČKI Martin	CRO
4	HYNKOVA Karolína	CZE

IAU WORLD CUP - CROSSBOW FIELD
 24th Croatia Cup, Veliko Trgovišće
 28th to 30th of June 2019
 Cadets



IAU WORLD CUP - CROSSBOW FIELD
 24th Croatia Cup, Veliko Trgovišće
 28th to 30th of June 2019
 Seniors



IAU WORLD CUP - CROSSBOW FIELD

Veliko Trgovišće, Croatia

28th to 30th of June 2019

Results - MEN

FP	Competitor	Team	Cat.	65m	50m	35m	Σ	R10	10
1	PEREGLIN Domagoj	Croatia	M	288	288	293	869	41	22
2	OBOROVEČKI Martin	Croatia	M	275	280	294	849	33	15
3	NOVOSEL Josip	Croatia	M	282	282	285	849	30	15
4	KRSTINIĆ Andrej	Croatia	M	271	286	292	849	27	25
5	TERTYCHNYIY Andrey	Russia	M	275	286	287	848	30	15
6	KAJFEŠ Marijan	Croatia	M	276	280	290	846	35	16
7	MOFARDIN Oliver	Croatia	M	282	269	291	842	23	18
8	BORAK Ivan	Croatia	M	270	283	287	840	30	13
9	AVDEEV Iakov	Russia	M	275	271	289	835	25	20
10	SHABURIN Semen	Russia	M	271	274	290	835	25	16
11	SVÁB Sándor	Hungary	M	264	279	289	832	34	11
12	SIMASHEV Fedor	Russia	M	274	275	283	832	28	8
13	SERGEEV Iliia	Russia	M	256	282	290	828	34	11
14	KORBAŘ Bohumil	Czechia	M	271	273	283	827	26	10
15	HENNE Andreas	Switzerland	M	274	271	278	823	21	10
16	MIRZOEV Mikhail	Russia	M	265	275	283	823	19	16
17	KOSITSYN Aleksandr	Russia	M	260	273	288	821	28	15
18	TIJAN Željko	Croatia	M	260	273	278	811	14	13
19	GSTEU Bernhard	Austria	M	263	270	277	810	19	13
20	NEDĚLNÍK Josef	Czechia	M	245	281	275	801	14	18
21	HAFEN Thomas	Switzerland	M	243	263	268	774	14	12
22	HAJNÝ Martin	Czechia	M	249	253	265	767	7	1
23	LUTZ Harald	Austria	M	240	263	262	765	14	7
24	VYSKOČIL Denis	Czechia	M	249	268	238	755	10	9
25	ANDRÉS Lukáš	Czechia	M	230	260	251	741	15	3
26	KUBESA Oldřich	Czechia	M	232	244	230	706	7	11

IAU WORLD CUP - CROSSBOW FIELD**Veliko Trgovišće, Croatia****28th to 30th of June 2019****Results - WOMEN**

FP	Competitor	Team	Cat.	65m	50m	35m	Σ	R10	10
1	PEREGLIN Valentina	Croatia	W	275	285	286	846	37	9
2	KOCHETOVA Lolita	Russia	W	266	285	287	838	31	12
3	KLIMOVA Olga	Russia	W	267	281	286	834	27	13
4	OBOROVEČKI Mihaela	Croatia	W	280	273	275	828	26	10
5	BARTOLOVIĆ Karla	Croatia	W	267	272	282	821	18	19
6	KOZUMPLIK Valentina	Croatia	W	269	280	271	820	24	12
7	GRDIŠA Maja	Croatia	W	259	277	273	809	21	9
8	SAMOTAEVA Violetta	Russia	W	255	270	281	806	22	13
9	MANTCUROVA Linda	Russia	W	247	271	287	805	20	15
10	NEDĚLNÍKOVÁ Hana	Czechia	W	244	277	273	794	11	11
11	KUBESOVÁ Sabina	Czechia	W	259	268	266	793	18	14
12	NEDĚLNÍKOVÁ Jaroslava	Czechia	W	261	260	261	782	13	11
13	HYNKOVÁ Irena	Czechia	W	238	267	267	772	16	13
14	KOLEŇÁKOVÁ Jana	Czechia	W	249	269	253	771	6	7
15	HYNKOVÁ Karolína	Czechia	W	259	255	247	761	15	3
16	KLIMOVA Anastasia	Russia	W	237	257	259	753	6	8
17	PONOMARENKO Daria	Russia	W	238	256	256	750	11	4

OFFICIALS

Director of the competition:	DAMIR OBOROVEČKI
Director of the shooting:	PAVEL KASZONY
International judge:	GORANA STOJNIĆ
Field judges:	PETAR BOSANAC GABRIJELA MOFARDIN BRANKA PEREGLIN BRIGITA ZDENJAK
IT team:	BRANKO PEREGLIN MARTIN OBOROVEČKI
Announcing team:	PERO STOJNIĆ GABRIJELA MOFARDIN
Competition jury:	PERO STOJNIĆ ANDREAS HENNE PAVEL KASZONY HARALD LUGMAYR DAMIR OBOROVEČKI
Doping control:	ANTIDOPING HZJZ (CROATIA) DOMAGOJ PEREGLIN (WINNER - MEN) VALENTINA PEREGLIN (WINNER - WOMEN)

